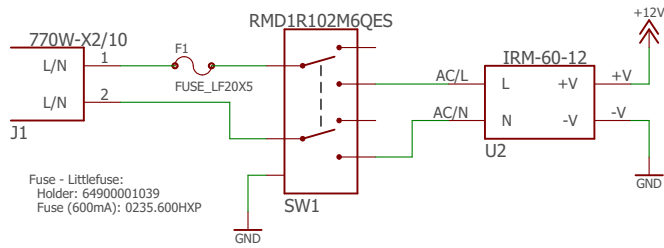
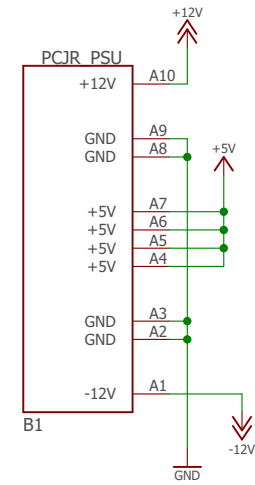


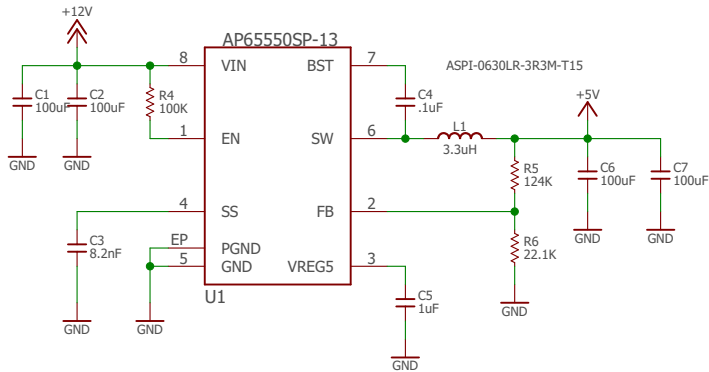
Power Entry and +12V Step-Down



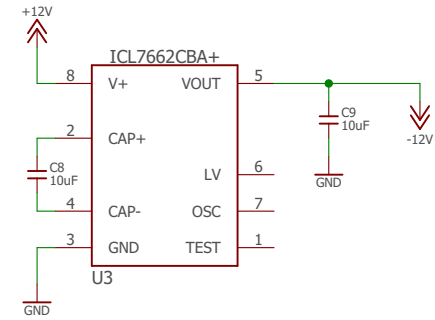
IBM PCjr Output Connector



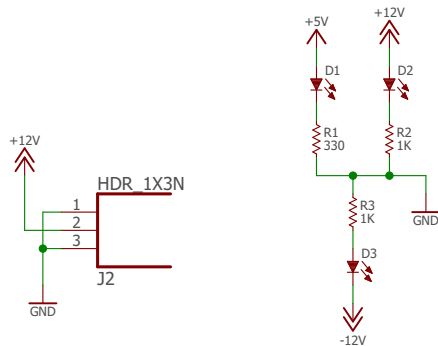
+5V @ 5 Amp Buck Switching DC/DC Converter



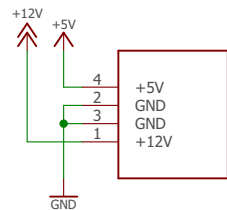
-12V Inverting Regulator



Fan Power & Status



Molex Drive Power



TE Right-Angle Anchor Connector: 535676-1

IBM PCjr Power Supply

Section:

Main board / +5V / +12V / -12V

Maintainer:

Alan Hightower

Doc #:

TBD.

Rev:

A

Date: 12/9/2018 9:40 PM

Sheet: 1/1